

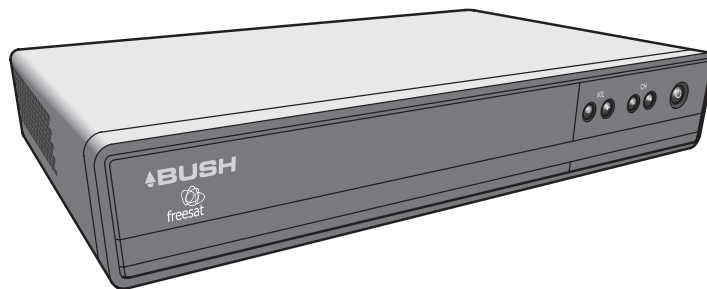


# **BUSH**

## **BFSAT01SD**

### **freesat receiver**

#### **Instruction Manual**



**IMPORTANT:** Please read all instructions carefully before use and keep for future reference.



01

## Welcome

**Thank you for choosing this Bush freesat receiver. Not only can it receive over 80 subscription free channels, but you can also get radio channels.**

It's really simple to use; it's all done using the clear, easy to understand on screen menus which are operated from the remote control. It even has a reminder function so that you won't miss for favourite programmes.



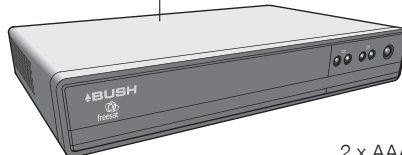
A digital receiver lets you access digital channels that are broadcast in the UK. It uses a digital signal, received through your satellite dish and lets you watch it through your existing television.



For a one off payment, you can buy a freesat receiver, satellite dish and installation giving you over 80 channels covering the best of TV and more.

## In the box

Your new freesat receiver



Remote control



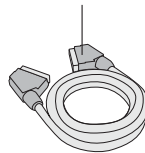
Quick start guide



2 x AAA batteries



SCART cable



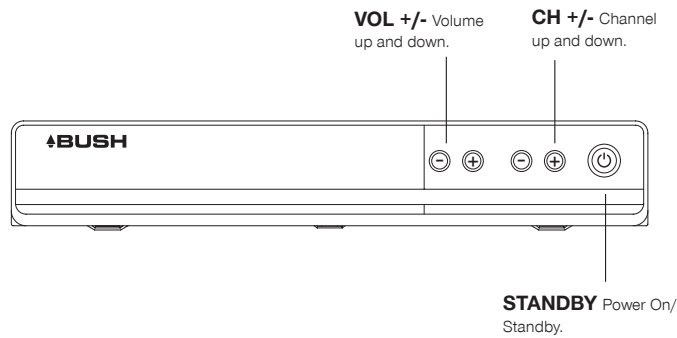
1



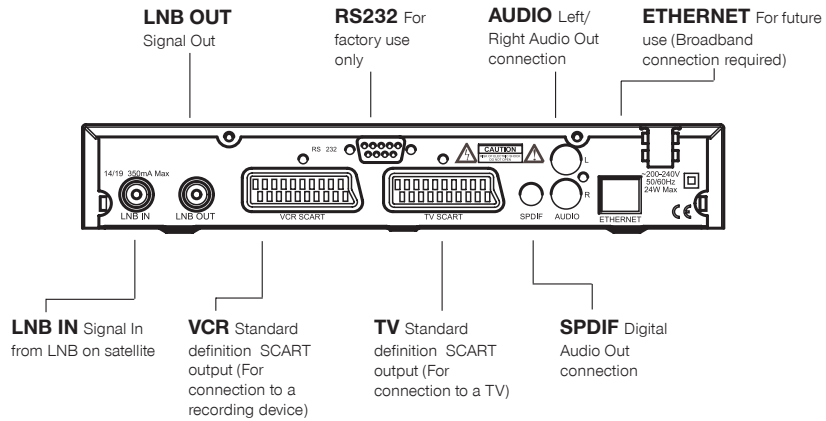
**Your freesat receiver**

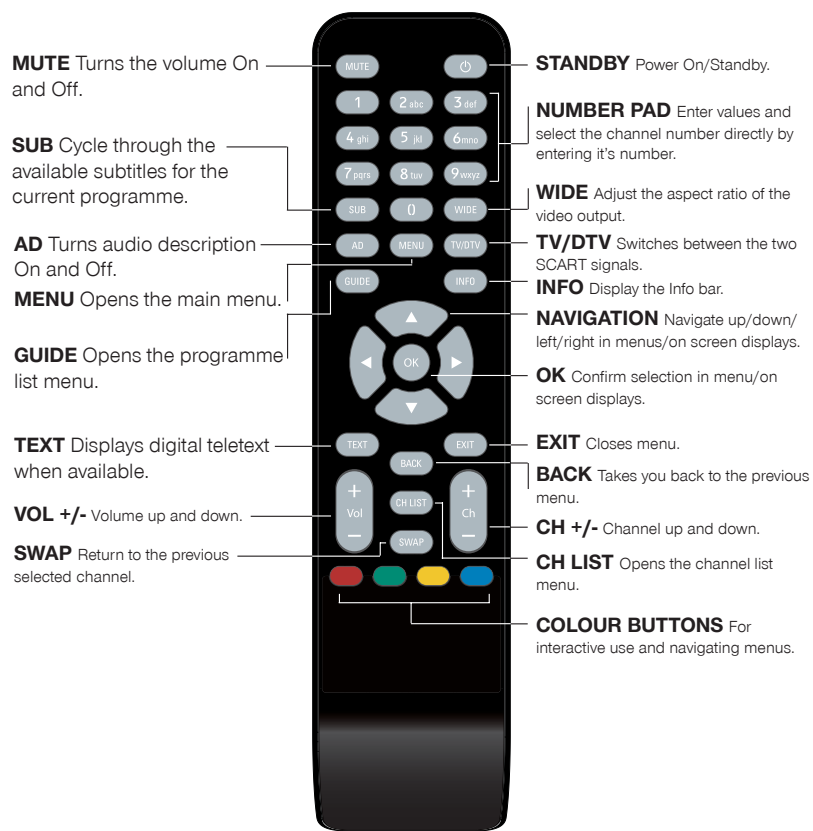
**02**

**Front view**



**Rear view**







## Daily use

04

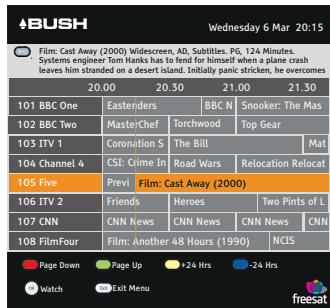
### Introducing the channel lists

There are two channel lists available to you;

The 'Channel list' shows all the available channels that you can receive.



The 'Programme list' shows the scheduled programmes available on each channel.



You can use the arrow buttons to select a different channel and use the coloured buttons to move to a new page of channels. Press **[OK]** to watch the selected programme.

### Changing the channel

You can select the channel you want to watch by using the **[CH+]** and **[CH-]** buttons on the remote control. Alternatively use the number buttons to key in the channel number.

When you change the channel the info screen will be displayed for a few seconds. This shows the details of the programme currently showing and the next programme for the selected channel.

Now:	Eastenders	20:00 - 20:30
Next:	BBC News	20:30 - 21:00
101	BBC One	20:14

### Changing the volume

You can change the volume by using the **[VOL+]** and **[VOL-]** buttons on the remote control. You can turn off the volume by pressing the **[MUTE]** button. To turn it back on press the **[MUTE]** button again.

### Audio description

Audio description is an additional narration that describes all significant visual information such as body language, facial expression, scenery, costumes - anything that is important to the plot of the story, event or image.

Press the **[AD]** button to switch audio description on (if available). Press the **[AD]** button again to switch it off.

### Subtitles

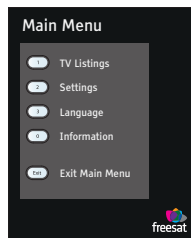
Press the **[SUB]** button to display subtitles (if available). Press the **[SUB]** button again to turn them off.

## 05

## The menu system

### The main menu

To open the main menu screen press the **[MENU]** button on the remote control.



To select a menu, press the relevant number button to open it. For example press **[1]** on the remote control to open 'TV Listings'.

To close any of the menu screens, press the **[EXIT]** button.

### TV listings menu

The TV listings menu shows you all of your available channels. This list is updated automatically each time you open the menu, so there is no need to re-tune your freesat receiver when new channels become available.

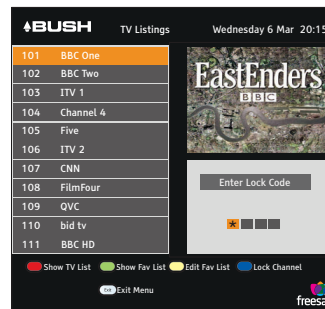


The **[RED]** button opens/returns to the full TV listing menu and shows you the full channel line up available.

The **[GREEN]** button will show you all your channels in your favourite list. Favourite channels are shown with a tick next to them.

The **[YELLOW]** button lets you edit your favourite channel list so that you can add and delete channels that you use most often.

The **[BLUE]** button lets you lock channels so that they can't be viewed. This can be useful if you want to restrict children from watching unsuitable channel content.



**DON'T FORGET!** To lock and unlock a channel you will need to enter the code **0000**.

### The settings menu

The settings menu allows you to change the default settings on your freesat receiver.

To select one of the options use the arrow buttons, then press the **[OK]** button to select.



#### Audio language

You can change the default language to English, Welsh or Gaelic.

#### TV screen size

This changes the format of the screen. Select the option that best suits your type of TV.

#### SCART output

You can set the output type of the SCART sockets. The options are composite or RGB.

#### Parental settings

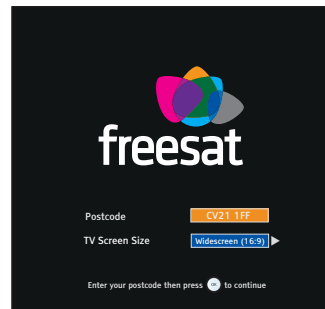
This allows you to change the channel lock code.

### Receiver upgrade

You can set your freesat receiver to search for new system software either manually or automatically.

### First time install

This allows you to put your freesat receiver back to the factory default settings. You will need to enter your passcode to continue.



**DON'T FORGET!** Use the number keys on the remote control to enter your postcode. The right arrow moves to the next space and the left arrow deletes the previous character. Press the **[OK]** button to continue.

### The language menu

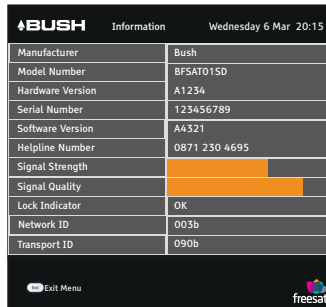
The language menu allows you to change the default language settings for interactive services and subtitles.

To select between English, Welsh or Gaelic use the arrow buttons, then press the **[OK]** button to select.



### The information menu

This menu shows you information about your freesat system.



**DON'T FORGET!** It is useful to have this information to hand when contacting the call centre.

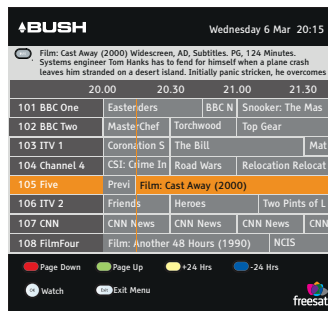


## Using the programme reminder

06

You can use the reminder function to let you know when a programme is going to start.

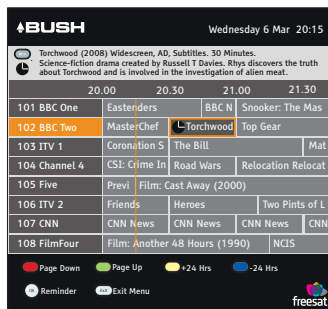
- 1 Press the **[GUIDE]** button on the remote control.
- 2 The programme list will be displayed. The channel and programme that you are currently watching are highlighted in orange.



- 5 When the reminder has been set a clock icon is shown before the programme name.
- 6 When the reminder time is reached, the freesat receiver will automatically switch over to the correct channel and your programme will start.

**DON'T FORGET!** To cancel a programme reminder, highlight the programme where the reminder has been set, and press the **[OK]** button. The clock icon will disappear and the reminder will be cancelled.

- 3 Using the arrow buttons on the remote control, move to a different programme that you want to set as a reminder.
- 4 Press the **[OK]** button to set the reminder.



8

**1 In which direction should my satellite dish be positioned?**

Your satellite dish should be fitted on a south facing wall in the direction of 28.2° East of South.

**2 Can I connect more than one freesat receiver to my satellite dish?**

Yes you can. You will need an LNB fitted that has more than one connection. You will need one connection for each freesat receiver.

**3 Why do I have to enter my post-code in the first time setup?**

This makes sure that you receive programmes from your local region. For example the local news and weather.

**4 How do I do a first time install again?**

Press the **[MENU]** button and choose option 2. Select 'First Time Installation' and press the **[OK]** button.

**5 How do I look for new system software?**

Press the **[MENU]** button and choose option 2. Select 'Receiver Upgrade' and press the **[OK]** button.

**6 How do I find out system information about my freesat receiver?**

Press the **[MENU]** button and choose option 0.

**7 How do I change the default audio language?**

Press the **[MENU]** button and choose option 2. Select 'Audio Language'. The options are English, Welsh and Gaelic.

## Need extra information or help setting up?

You may find the information you are looking for on our website.

**[www.bushdigital.co.uk](http://www.bushdigital.co.uk)**

or on the freesat website.

**[www.freesat.co.uk](http://www.freesat.co.uk)**

If you still need help or information you can phone our call centre on:

**0871 230 4695**

**Calls are charged at 10p per minute when called from a BT landline. Call charges may vary if using other networks.**



## Safety

08

### General Safety

This equipment has been designed and manufactured to meet European safety standards, but like any electrical equipment, care must be taken if you are to obtain the best results and safety is to be assured.

Do read these operating instructions before you attempt to use the equipment.

Do ensure that all electrical connections (including the mains plug, extension leads and interconnections between pieces of equipment) are properly made in accordance with the manufacturer's instructions.

Switch off and remove the mains plug when making or changing any connections.

Do consult your dealer if you are ever in doubt about the installation, operation or safety of your equipment.

Don't continue to operate the equipment if you are ever in doubt about it working normally, or if it is damaged in any way. Switch it off withdraw the plug from the mains and consult your dealer.

Don't remove any fixed covers as this may expose you to dangerous voltages.

Don't leave the equipment switched On when it is unattended for long periods of time, unless it is specifically stated that it is designed for unattended operation or has a standby mode.

Make sure that other people in your household are conversant with the equipment.

Don't obstruct the ventilation vents on the equipment, for example with curtains or soft furnishings.

Overheating will cause damage and shorten the life of the product.

Don't allow electrical equipment to be exposed to rain or moisture.



10





**BUSH**  
www.bushdigital.co.uk

0871 230 4695

Rev1-140308

